

Thank you for purchasing this light fitting. Please read the instructions carefully before use to ensure safe and satisfactory operation of this product. Please retain these instructions for future reference.

Warning

This is a Class 1 product and must be earthed.

Please read these instructions carefully before commencing any work.

This unit must be fitted by a competent and qualified electrician.

Install in accordance with IEE Wiring regulations and current Building Regulations.

To prevent electrocution switch off at mains supply before installing or maintaining this fitting. Ensure other persons cannot restore the electrical supply without your knowledge. If you are in any doubt, please consult a qualified electrician.

If replacing an existing fitting, make a careful note of the connections.

Waste electrical products should not be disposed of with household waste. Please recycle where facilities exist. Check with your local authority or retailer for recycling advice.

This product is rated at IP20.

This light fitting contains non-replaceable parts and cannot be serviced.

If damage occurs the part should be discarded.

This product is not dimmable.

Specification

Voltage: 240V 50Hz a.c.

Lamp:	72370	:	19W	LED module
	72371	:	23W	LED module
	72372	:	28W	LED module
	72373	:	41W	LED module
	72374	:	50W	LED module
	72375	:	60W	LED module

IP rating: 20

Duration: 3 hours (180 Minutes)

Operating Temperature: -20

Mains input current: 35mA±10%

input power in mains operation: 4.5W±10%

Emergency power: 1.8W-2.5W

Battery Specification: LiFePO4 6.4V 1800mAh

Battery Charge Time: 24 Hours

Battery charge current: 250-300mA

Layout

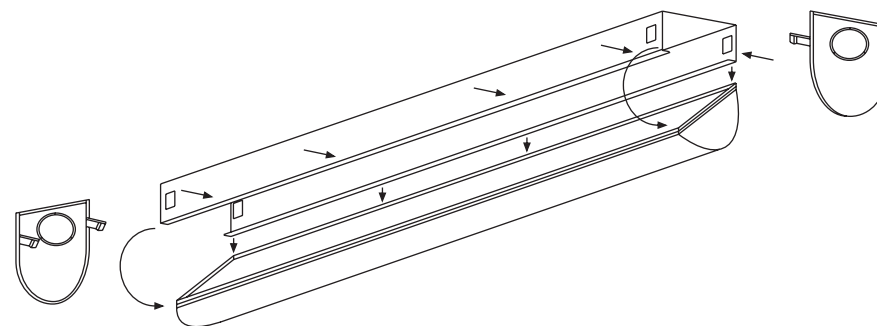
- This product can be installed on the ceiling or wall.
- Ensure the ceiling or wall is capable of holding the weight of the product

Installation

Existing fittings must be completely removed before installation of a new product. **Before removing the existing fitting, carefully note the position of each set of wires.**

- Remove both end caps by pushing in the clips with a small screwdriver or similar tool.
- Starting from one end and working along, remove the LED diffuser unit by gently squeezing the sides of the metal body and lifting off the diffuser unit to one side.
- Hold the product in place and mark the position of the fixing holes. This may require the help of an assistant. If wall mounting, ensure that the product is level.

- Ensure the ceiling or wall is capable of holding the weight of the product. Take care to avoid damaging any concealed wiring and pipes. The correct fixings should be used for brick, cavity walls or plasterboard.
- Feed the supply cable through the centre hole and fix the light fitting into position.
- Connect the supply cable to the quick fit terminal block as below



Commissioning

- Connect the LED driver output cable to the LED diffuser unit, ensuring it is securely clipped together.
- Connect the Earth cable on the body to the Earth tab on the LED diffuser unit, ensuring it is securely clipped together.
- Refit the LED diffuser unit by clipping it into place ensuring the sides are aligned with the body. Take care not to trap any cables.
- Replace fuse or circuit breaker and switch on. Your light is now ready for use..