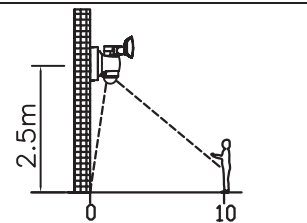
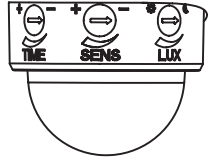


## PIR Adjustment

- The unit must be installed in a vertical position, and fitted between 1.8m and 2.5m above the ground.
- The PIR sensor can be adjusted, allowing the detection distance to be altered to suit the location. The detection angle is set at 180 degrees. The duration that the lamp stays on can be altered from

10±5 seconds to 60±10 seconds. The detection distance "SENS" can be adjusted up to 10m Use a small screwdriver to adjust the 'TIME' and 'SENS' screws. When adjusting the sensitivity (detection distance) in daylight it will be necessary to cover the sensor to simulate night time.

Adjustable up to 10 metres	Base of product
	
Detection range can be adjusted by turning 'SENS' screw	Duration the bulb stays on is adjustable by turning 'TIME' screw The sensor trigger point is adjustable by turning the 'LUX' screw.

## Fitting/replacing bulbs

- This system contains non-replaceable parts and cannot be serviced. If damage occurs the part should be scrapped.

We recommend cleaning with a soft dry cloth.

Do not use solvents or abrasive cleaners as these could damage the finish.

## Recycling advice



Waste electrical products should not be disposed of with household waste. Please recycle where facilities exist. Check with your Local Authority or retailer for recycling advice.

## Safety information

For your safety, always switch off the supply before cleaning.

## Instruction leaflet

# Sentinel Solar PIR Wall Light

75271



saxby  
lighting

Iss.1 21062018

Thank you for purchasing this light fitting. Please read the instructions carefully before use to ensure safe and satisfactory operation of this product. Please retain these instructions for future reference.

## Warning

This unit cannot be dimmed.

This product contains non-replaceable parts and cannot be serviced. If damage occurs the product should be scrapped.

Waste electrical products should not be disposed of with household waste. Please recycle where facilities exist. Check with your local authority or retailer for recycling advice.

This product is rated at IP44.

This product is not suitable for location in or near a marine environment.

## Specification

Voltage:	7.4V
Lamp:	2 x 10W LED Module
IP rating:	44
Battery Type:	1 x 7.4V 3600mAh Li-Ion (non replaceable).

## Layout

- Avoid mounting on surfaces subject to vibration, as this may affect the PIR sensor.
- To avoid damage to the unit, do not aim the sensor towards the sun or areas of strong electro-magnetic disturbances.
- To avoid nuisance triggering, the sensor should be aimed away from heat sources, such as BBQ's, Air-Conditioners, other outside lighting, moving cars and flue vents or reflective surfaces such as smooth white walls or swimming pools.
- When selecting location, it is advisable to note that movement across the sensors field is more effective than towards/away from it.
- Ensure the solar panel is located in a south-facing position to maximise available sunlight.

## Installation

- Decide on the optimum location for the product and solar panel. Ensure the wall is capable of holding the weight of the product.
- Place the product in an upright position.
- Detach the wall back by removing the screw from the bottom of the product. Set screw aside for refitting later (Fig. 1).
- Push button on top of product and remove wall back (Fig. 1).
- Using the wall back as a template, mark and drill the position of the fixing holes.
- Fix the wall back to the wall using the screws and wall plugs. Take care to avoid damaging any concealed wiring and pipes. The correct fixings should be used for brick or cavity walls.
- Reattach the product to the wall back using the screws set aside earlier.
- Adjust the PIR sensor as detailed overleaf. Please note the sensor rotates for easy access to the controls. Line the white dots up at the front of the product to ensure the correct orientation.
- Gently rotate the angle of the shades by hand to your preferred position.
- Fix the solar panel to the wall using screws and wall plugs. Take care to avoid damaging any concealed wiring and pipes. Adjust the angle of the panel to your preferred position (Fig. 2).
- Plug the solar panel into the light fitting (Fig. 2).
- Turn on using button on front of product.
- Your light is now ready for use.

