

Fitting/replacing bulbs

- This system contains non-replaceable parts and cannot be serviced. If damage occurs the part should be scrapped.

We recommend cleaning with a soft dry cloth.

Do not use solvents or abrasive cleaners as these could damage the finish.

Recycling advice



Waste electrical products should not be disposed of with household waste. Please recycle where facilities exist. Check with your Local Authority or retailer for recycling advice.

Safety information

For your safety, always switch off the supply before cleaning.

Instruction leaflet

Montana LED Bulkhead

74767, 74768



saxby
lighting

Thank you for purchasing this light fitting. Please read the instructions carefully before use to ensure safe and satisfactory operation of this product. Please retain these instructions for future reference.

Warning

This is a Class 1 product and must be earthed.

Please read these instructions carefully before commencing any work.

This unit must be fitted by a competent and qualified electrician.

Install in accordance with IEE Wiring regulations and current Building Regulations.

To prevent electrocution switch off at mains supply before installing or maintaining this fitting. Ensure other persons cannot restore the electrical supply without your knowledge. If you are in any doubt, please consult a qualified electrician.

If replacing an existing fitting, make a careful note of the connections.

This system contains non-replaceable parts and cannot be serviced. If damage occurs the part should be scrapped.

Waste electrical products should not be disposed of with household waste. Please recycle where facilities exist. Check with your local authority or retailer for recycling advice.

This product is rated at IP20.

This product is not suitable for dimming.

Specification

Voltage: 240V ~ 50Hz
 Lamp: 15W LED Module (CCT: 3000K/4000K/6500K)
 IP rating: 20

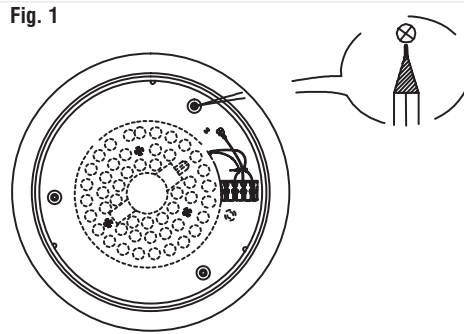
Layout

- The mains supply cable must have a minimum cross sectional area of 1.0mm².
- Cables in walls must be protected using suitable conduit or plastic trunking.

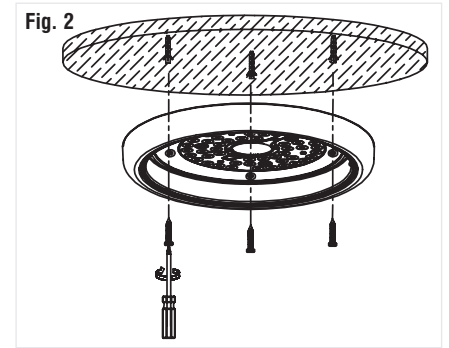
Installation

Existing fittings must be completely removed before installation of a new product. Before removing the existing fitting, **carefully note the position of each set of wires.**

- Rotate the shade anticlockwise to release it and set aside.
- Hold the ceiling cover in place and mark the position of the fixing holes. Refer to Fig. 1

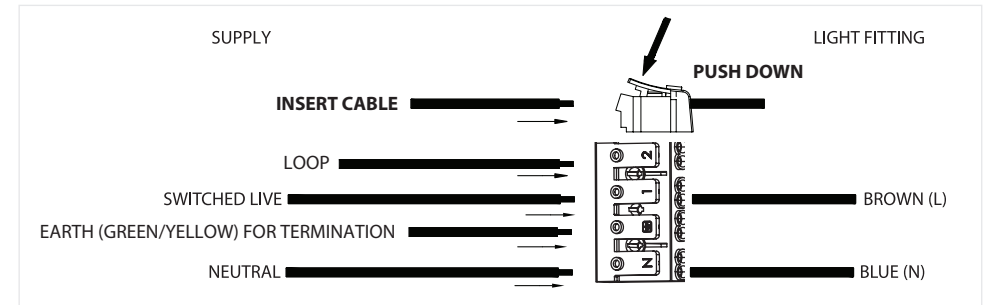


- Ensure there is a joist at the point of fixing to support the weight of the product. Take care to avoid damaging any concealed wiring and pipes. The correct fixings should be used for brick, cavity walls or plasterboard.
- Fix into position. Refer to Fig. 2
- Wire as detailed below



Wiring

- Having correctly identified the wiring from your existing light fitting, pull the mains cable through the cable entry hole and connect to the fast fix connection block in the following way. No tools are necessary.



Commissioning

- Refit the shade. Rotate the shade clockwise to secure in place.
- Using the wall switch, this product can be switched between warm white (3000K), cool white (4000K) and daylight white (6500K) to suit desired preference. This product also has a memory function so each time the product is switched on, the last selected colour will be emitted.

To switch between the three different colour temperatures (3000K/4000K/6500K), the wall switch must be switched off and on within 2.5 seconds. If the wall switch is not switched off and on in under 2.5 seconds, the memory function will store the last colour selected.

Please note: this product has been preset so the first colour emitted out of the box is 4000K. Please bear this in mind when adding/replacing products in parallel or similar.

- Replace fuse or circuit breaker and switch on. Your light is now ready for use.